



GENERAL TECHNICAL CHARACTERISTICS

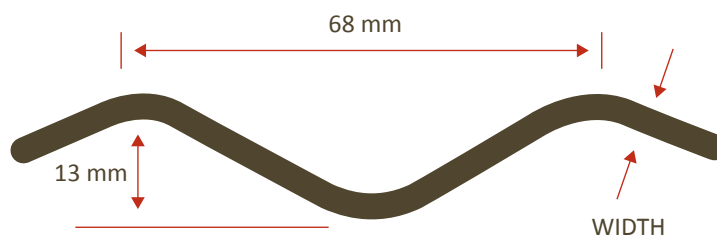
Half pipes are a great runoff solution in hillsides to avoid collapses and wash outs towards roads. This solution is compound by U shaped corrugated steel hot galvanized plates, which are assembled to form anchored to the soil through braces and bars structures.

Half pipes are easy and quick to transport and assemble featuring extraordinary durability and weather proofing due to their hot galvanized coating.

This product has several uses being water carrying the main one, in sectors like mining to dispose clear water, and agricultural to irrigate. It is also used in road works as pluvial collector systems and as hillside collapse prevention devices.

Tecnovial counts on a certified Integrated Management System according to ISO 9001:2008 (Quality), ISO 14001:2004 (Environment) and OHSAS 18001:2007 (Safety).

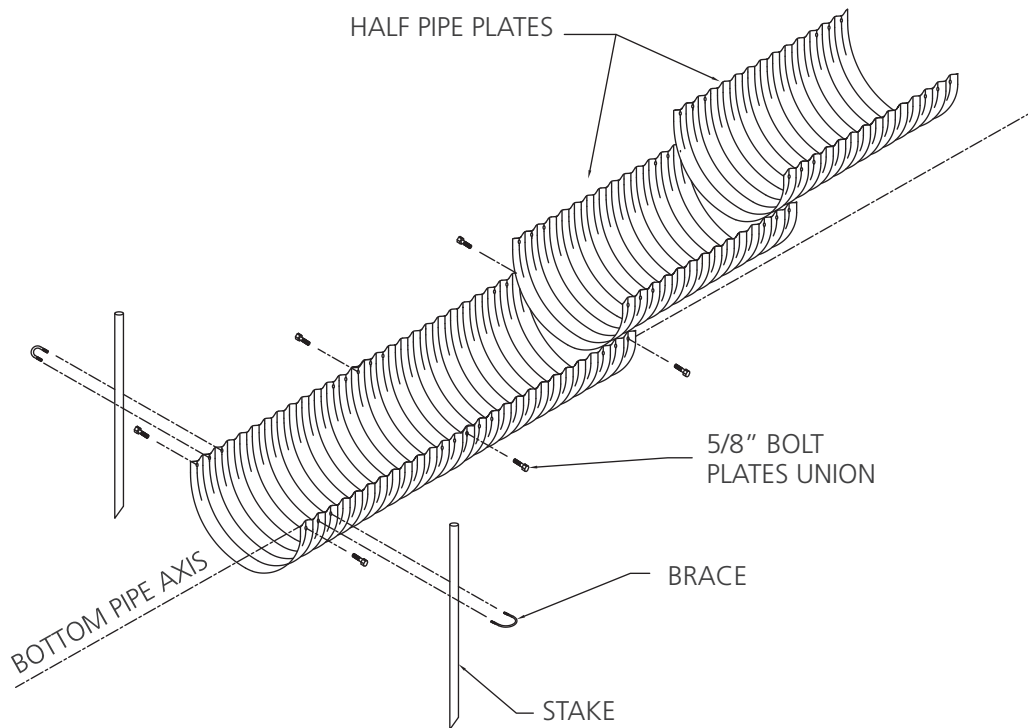
TV68 CORRUGATION



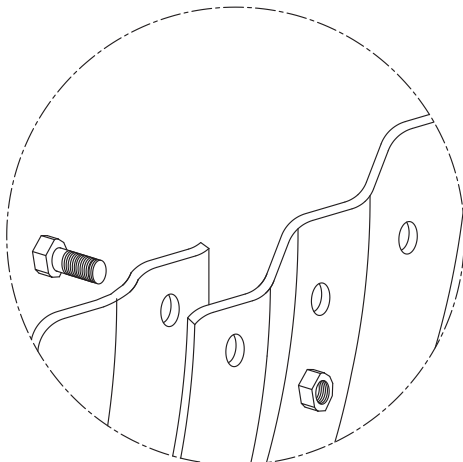
Model	Díameter [m]	Span (calculated) [m]	Area [m ²]	Perimeter [m]	Minimum Width [mm]
TV-MC-01	0,40	0,40	0,13	1,26	2,00
TV-MC-02	0,50	0,50	0,20	1,57	2,00
TV-MC-03	0,60	0,60	0,28	1,88	2,00

Model	Díameter [m]	Span (calculated) [m]	Area [m ²]	Perimeter [m]	Minimum Width [mm]
TV-MC-04	0,80	0,80	0,50	2,51	2,00
TV-MC-05	1,00	1,00	0,79	3,14	2,00
TV-MC-06	1,20	1,20	1,13	3,77	2,00

⊕ HALF PIPE ASSEMBLY:



BOLTS:



BRACE:

